

TSR 70X70

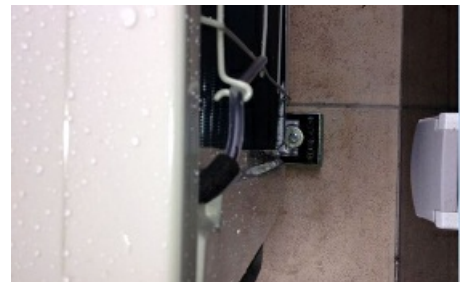


The AMC-MECANOCAUCHO® TSR type anti vibration mounts include a microcellular and resilient polyurethane compound for anti-vibration purposes called Sylomer®. This Sylomer® is oil resistant and with a temperature range of -30°C/+70°C.

The TSR mounts can be fixed mechanically thanks to the internal nut incorporated to the metallic part that is treated with an antioxidant coat. This coating complies to the RoHs regulations.

The above Chloroprene based rubber that is bonded to the metal acts as an anti-skid surface for those application where a mechanical fixation is not possible to be made. This layer provides an additional anticorrosive protection.

In order to match the application, 6 different densities are supplied for a wide range of loads.





AMC MECANOCAUCHO
Industrialdea Zona A - Pab. 35.
Asteasu E-20159, Gipuzkoa
Spain



Tel.: +34 943 69 61 02
Fax: +34 943 69 62 19



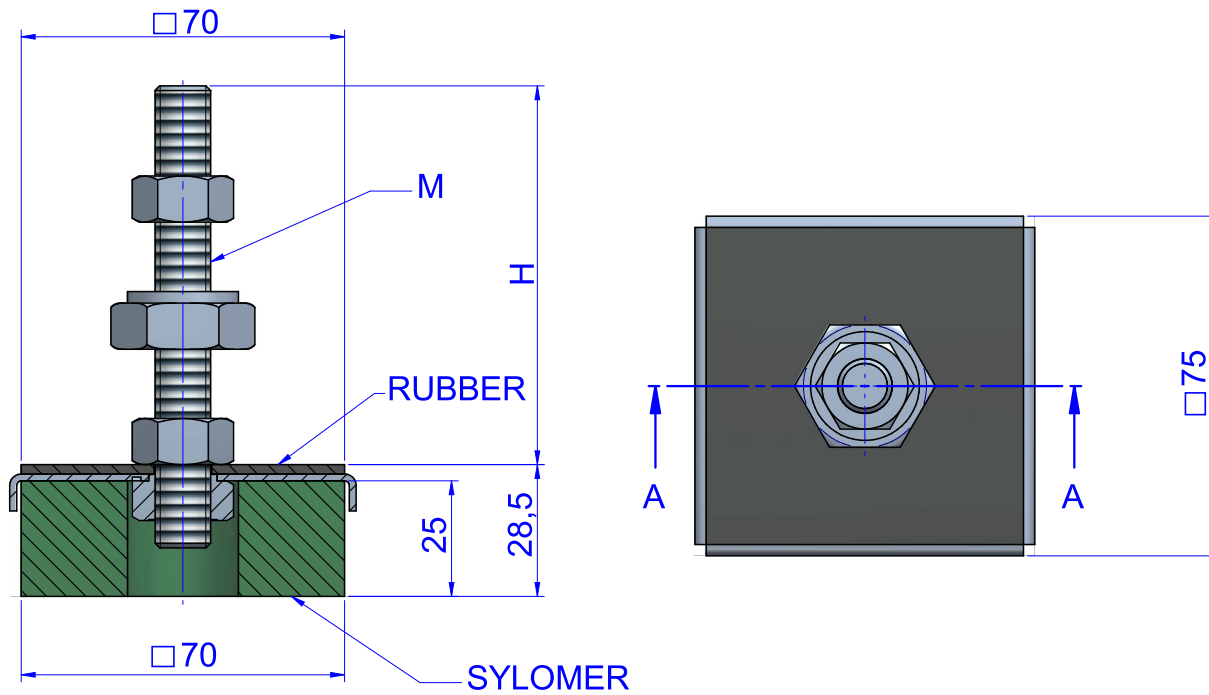
sales@amcsa.es



www.mecanocaucho.com
www.akustik.com

In order to adapt its products to the state of the art, AMC S.A. reserves the right to modify the conception and manufacture of the materials presented in this catalogue without prior notice.

DRAWINGS

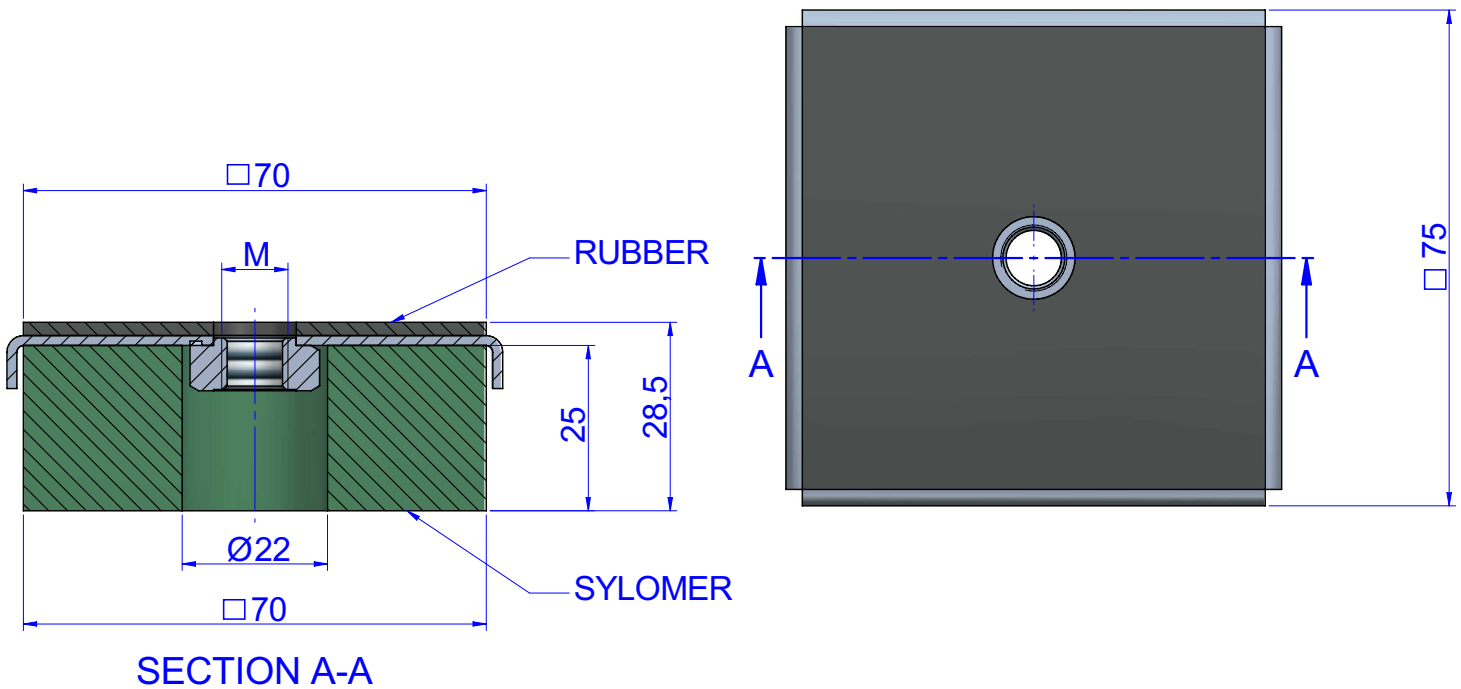


SECTION A-A

DIMENSIONS

Type	Max.Load (kg)	Deflection (mm)	K (N/mm)	Min. Load (kg)	Freq. (Hz) Min. Load	Freq. (Hz) Max. Load	E Modulus (N/mm ²)	H (mm)	M	Weight (kg)	Code
TSR 55 + KIT NIV	25	1,6	129,8	10	23,8	11	0,87	42	M8	0,2	157101
								75	M10	0,253	157107
								82	M12	0,314	157113
TSR 110 + KIT NIV	45	2,1	209,1	25	17,4	11,1	1,25	42	M8	0,21	157102
								75	M10	0,258	157108
								82	M12	0,324	157114
TSR 220 + KIT NIV	75	2,1	348,5	45	16	11,1	2,03	42	M8	0,225	157103
								75	M10	0,273	157109
								82	M12	0,34	157115
TSR 450 + KIT NIV	150	2,7	551,8	75	15,5	10,4	3,58	42	M8	0,24	157104
								75	M10	0,287	157110
								82	M12	0,353	157116
TSR 850 + KIT NIV	250	2,9	848,9	150	14,2	11,1	6,9	42	M8	0,26	157105
								75	M10	0,31	157111
								82	M12	0,375	157117
TSR 1200 + KIT NIV	300	2,9	981	250	11	10	6,7	42	M8	0,275	157106
								75	M10	0,3	157112
								82	M12	0,366	157118

DRAWINGS

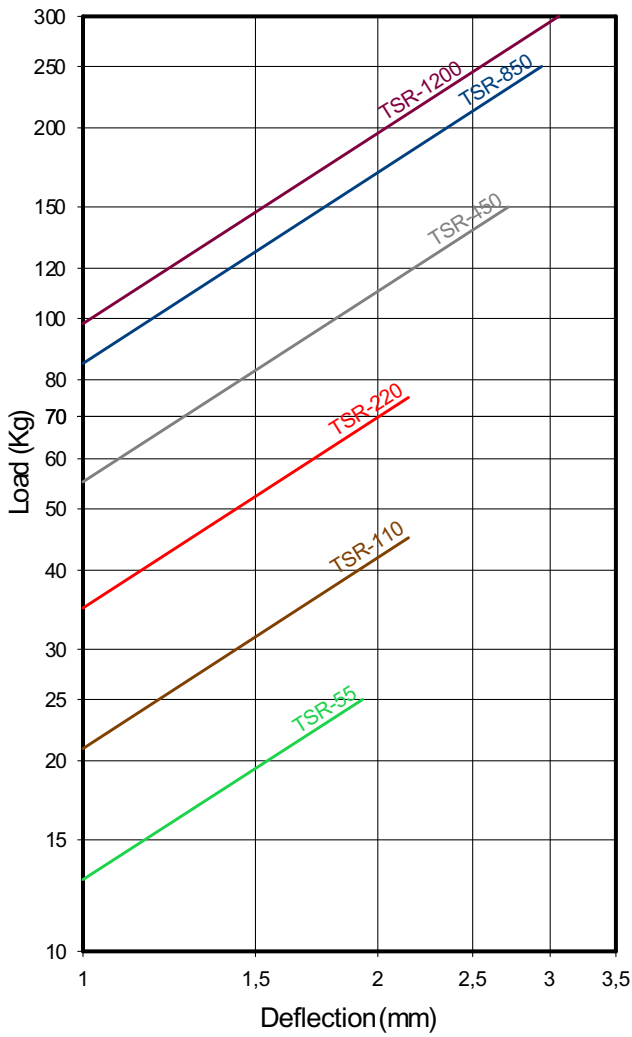


DIMENSIONS

Type	Max. Load (kg)	Deflection (mm)	K (N/mm)	Min. Load (kg)	Freq. (Hz) Min. Load	Freq. (Hz) Max. Load	E Modulus (N/mm ²)	M	Weight (kg)	Code
TSR 55	25	1,6	129,8	10	23,8	11	0,87	M8	0,163	157001
								M10	0,163	157008
								M12	0,163	157014
TSR 110	45	2,1	209,1	25	17,4	11,1	1,25	M8	0,173	157002
								M10	0,173	157009
								M12	0,173	157015
TSR 220	75	2,1	348,5	45	16	11,1	2,03	M8	0,188	157003
								M10	0,188	157010
								M12	0,188	157016
TSR 450	150	2,7	551,8	75	15,5	10,4	3,58	M8	0,203	157004
								M10	0,203	157011
								M12	0,203	157017
TSR 850	250	2,9	848,9	150	14,2	11,1	6,9	M8	0,223	157005
								M10	0,223	157012
								M12	0,223	157018
TSR 1200	300	2,9	981	250	11	10	6,7	M8	0,238	157006
								M10	0,238	157013
								M12	0,238	157019

Elastical properties

LOAD DEFLECTION CURVES
TSR+ SYLOMER®



NATURAL FREQUENCY CURVES
TSR+ SYLOMER®

