


Speed controllable, explosion proof centrifugal fan for duct installation

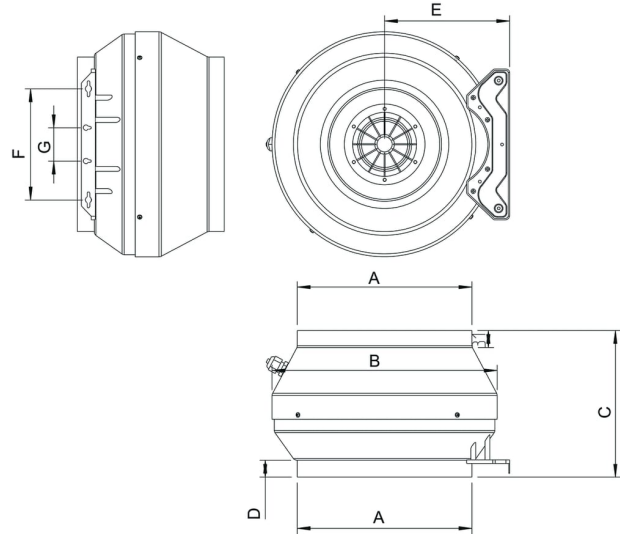
- Handles volatile gases
- Flexible use
- Compact

[Find more details in our online catalogue](#)

Technical parameters

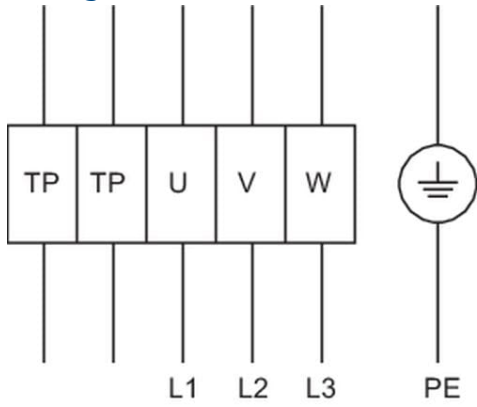
Nominal data	
Voltage (nominal)	400 V
Frequency	50 Hz
Phases	3~
Input power	84 W
Input power kW	0.084 kW
Input current	0.2 A
Impeller speed	1385 rpm
Air flow	max. 1120 m ³ /h
Temperature of transported air	max. 40 °C
Max temperature of transported air, when speed controlled	40 °C
Sound data	
Sound pressure level at 3m (20m ² Sabin)	41 dB(A)
Protection/Classification	
Enclosure class, motor	IP44
Insulation class	B
Explosion proof marking	II 2G Ex h IIB+H2 T3 Gb
Certificate	TPS 20 ATEX 085751 0009 X
Ambient and duct temperature	
Ambient and duct temperature	-20 to 40 °C
Dimensions and weights	
Duct dimension; Circular, inlet	315 mm
Duct dimension; Circular, outlet	315 mm
Weight	7 kg
Others	
Duct connection type	Circular
Color name, casing	Black
Motor type	AC

Dimension



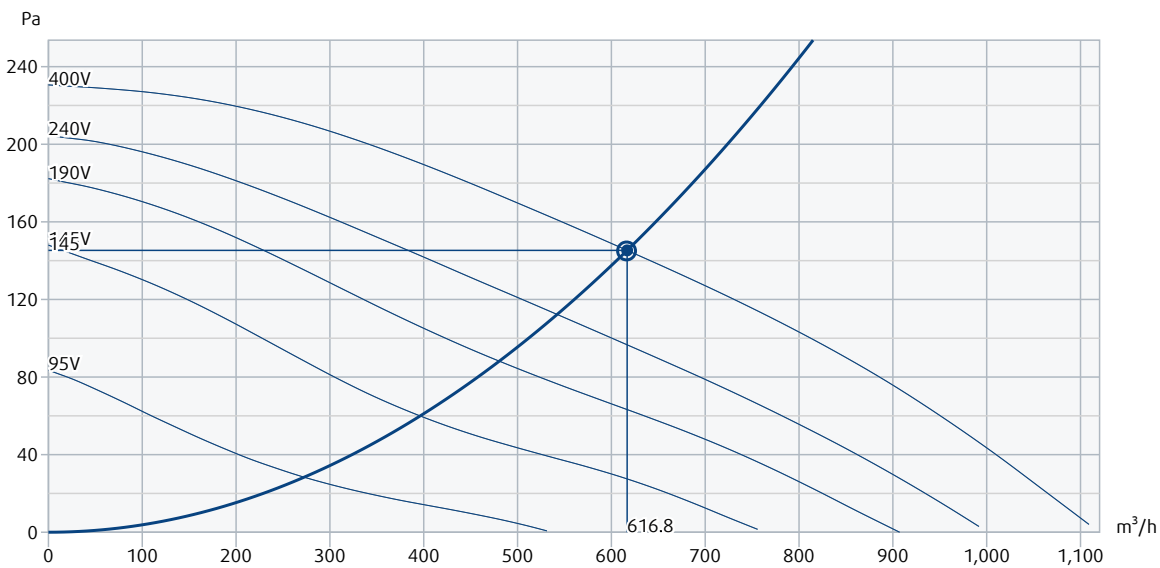
	øA	øB	C	D	E	F	G
RVK-EX 315	314	405	264	30,5	225	200	60

Wiring



U	braun	brown	brun
V	blau oder grau	blue or grey	bleu or gris
W	schwarz	black	noir
TP	weiß	white	blanc

Performance curve



Hydraulic data

Required air flow	616 m ³ /h
Required static pressure	145 Pa
Working air flow	617 m ³ /h
Working static pressure	145 Pa
Air density	1.204 kg/m ³
Power	83.6 W
Fan control - RPM	1,386 rpm
Current	0.20 A
SFP	0.488 kW/m ³ /s
Control voltage	400.0 V
Supply voltage	400 V

Sound power level

		63	125	250	500	1k	2k	4k	8k	Total
Inlet	dB(A)	45	62	62	60	58	54	54	45	67
Outlet	dB(A)	50	62	62	59	60	57	55	45	68
Surrounding	dB(A)	18	27	36	44	44	39	34	25	48
Sound pressure level at 3m (20m ² Sabine)	dB(A)	-	-	-	-	-	-	-	-	41
Sound pressure level at 3m free field	dB(A)	-	-	-	-	-	-	-	-	27

Accessories

Ex e-Terminal box 1,5/6mm² 32A (2704)
 R-DK4 KT Transformer (302568) (6051)
 RTRD 2 Speed Cont. Systemair (5941)
 SG 315 Protection guard (5611)

FK 315 Fast clamp (1613)
 REV-3POL/ATEX-11kW R/Y (36414)
 RTRDU 2 Speed contr. Systemair (5945)
 U-EK230E Motor protection (30199)

Documents

Commissioning Report

COMMISSIONING_RECORD_FANS__EN_002.PDF

EPS 20 ATEX 1 188 X Revision 0

imo_fans_atex_en_002

TPS_20_ATEX_085751_0009_X_EN.PDF