

Centrifugal roof fan with vertical discharge and EC motor

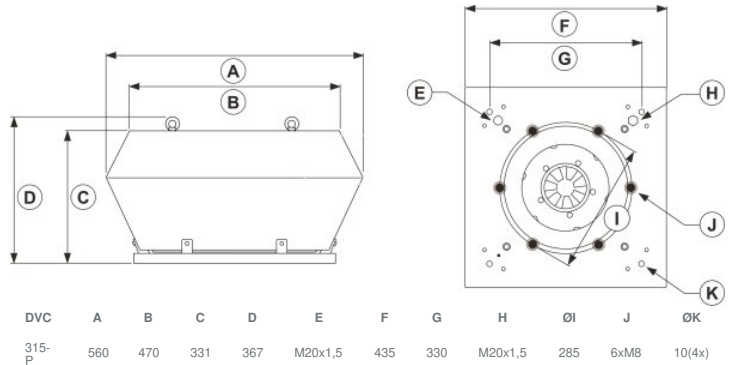
- DVC is the non-insulated version
- DVCI is the insulated version with acoustic and thermal insulation 50 mm
- DVC/DVCI-S: Potentiometer included for ease of commissioning
- DVC/DVCI-P: Integrated pressure regulator
- Extensive range of accessories
- Available with EC motors for 50 and 60Hz

[Find more details in our online catalogue](#)

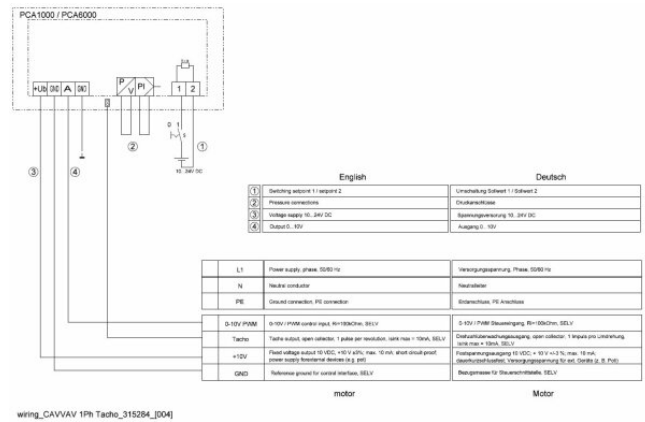
Technical parameters

Nominal data	
Voltage (nominal)	230 V
Frequency	50; 60 Hz
Phases	1~
Input power	174 W
Input power kW	0.174 kW
Input current	1.37 A
Impeller speed	1,818 rpm
Air flow	max 2,400 m ³ /h
Temperature of transported air	max 60 °C
Max temperature of transported air, when speed controlled	60 °C
Protection/Classification	
Enclosure class, motor	IP54
Insulation class	B
Data according to ErP	
ErP ready	ErP 2018
Dimensions and weights	
Weight	13.7 kg
Others	
Motor type	EC

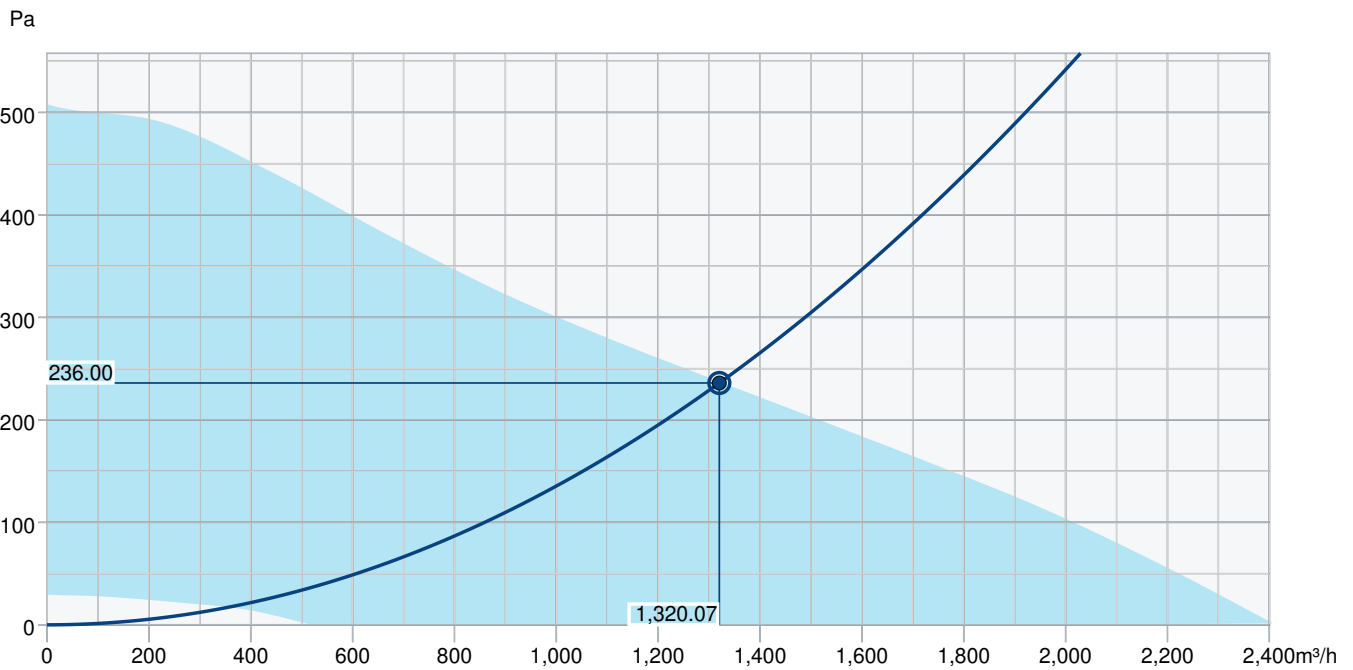
Dimension



Wiring



Performance curve



Hydraulic data

Required air flow	1,320 m³/h
Required static pressure	236 Pa
Working air flow	1,320 m³/h
Working static pressure	236 Pa
Air density	1.204 kg/m³
Power	173.5 W
Fan control - RPM	1,590 rpm
Current	1.38 A
SFP	0.473 kW/m³/s
Control voltage	10.0 V
Supply voltage	230 V

Sound power level		63	125	250	500	1k	2k	4k	8k	Total
Inlet	dB(A)	39	51	54	62	61	56	51	43	66
Outlet	dB(A)	40	53	56	64	62	57	52	44	67
Sound pressure level at 3m (20m² Sabine)	dB(A)	-	-	-	-	-	-	-	-	60
Sound pressure level at 3m free field	dB(A)	-	-	-	-	-	-	-	-	46

Accessories

ASF 310/311 inlet flange DVS (9568)

ASS 310/311 flex. inl.con. DVS (9575)

REV-5POL/05-7.5kW R/Y (33979)

TDA DV 310/311 Adapter (301392)

SSS 310 slant. socket silencer (30076)

FDS-L 310/311 flat roof socket (95279)

SSD 310/311 ZM socket sil (95062)

TG 400-800 Roof curb (1718)

ASK 310/311 inflow box SSD (300904)

REV-3POL/03-7.5kW R/Y (33978)

SSD 310/311 socket silencer (9561)

SDS 310/311 slant. roof socket (3784)

FDS 310/311 flat roof socket (9549)

FTG 310/311/315 Tilting device (30507)

SSD-L 310/311 Socket silencer (79856)

Documents

L-BAL-E263-GB.PDF

MANUAL_ROOF_FANS_EN_004_.PDF

EU DECLARATION OF CONFORMITY_ROOF FANS_EN_004.PDF

COMMISSIONING REPORT_FANS_160628_EN_001.PDF