

### Low pressure axial wall fans up to 39.000 m³/h

- Available with AC and EC motors for 50 and 60Hz
- Installation in any position
- Noise and energy optimized impeller

[Find more details in our online catalogue](#)

## Technical parameters

Nominal data	
Voltage (nominal)	400 V
Frequency	60; 50 Hz
Phases	3~
Input power	3,450 W
Input power kW	3.45 kW
Input current	5.22 A
Impeller speed	1,400 rpm
Air flow	max 24,638 m³/h
Air flow at max. efficiency	16,508 m³/h
Temperature of transported air	max 60 °C
Max temperature of transported air, when speed controlled	60 °C

Protection/Classification	
Enclosure class, motor	IP55
Insulation class	F

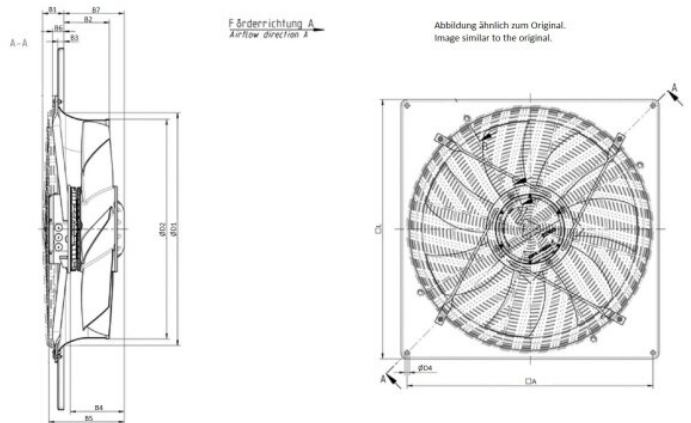
Data according to ErP	
ErP ready	ErP 2018

Dimensions and weights	
Weight	44.7 kg

Others	
Motor type	EC

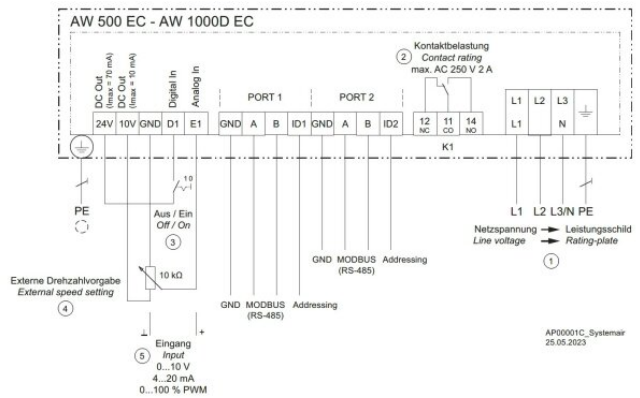
## Dimension

AW-EC 710D	□A	B 1	B 2	B 3	B 4	B 5	B 6	B 7	ØD 1	ØD 2	ØD 4	□L
[mm]	810	70	150	20	177,4	247,4	37	198,4	763	720	14,5	850

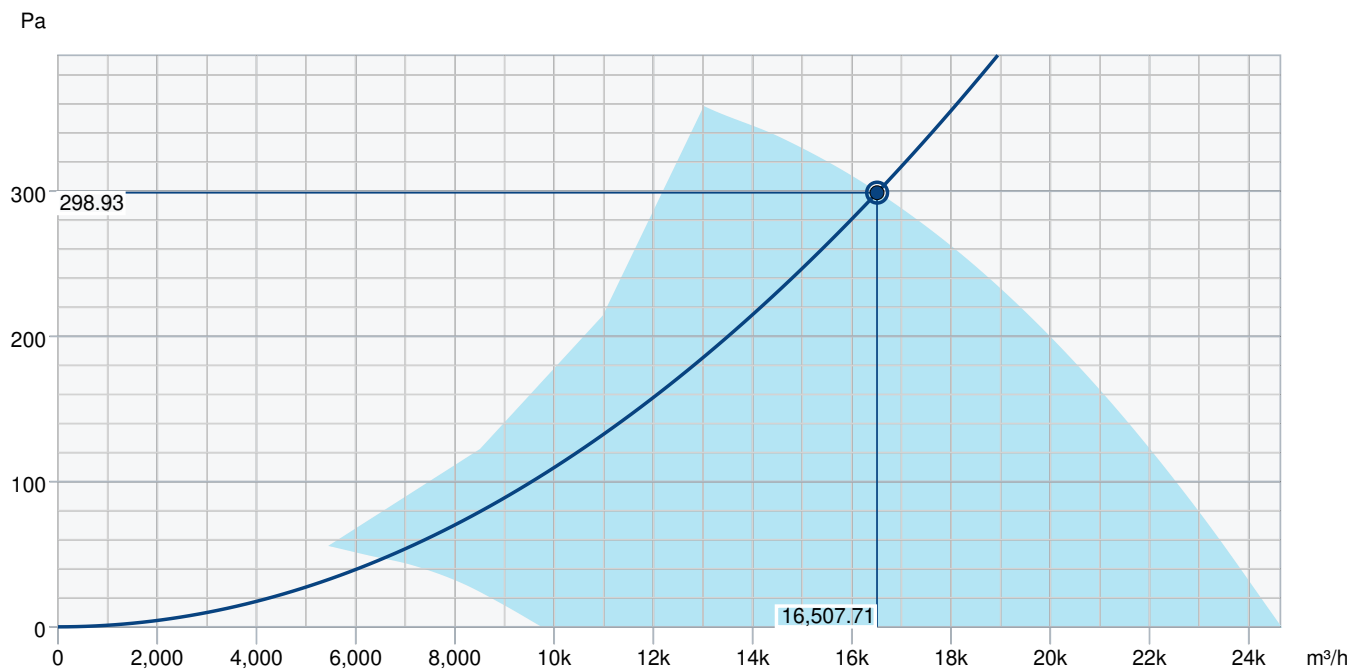


## Wiring

No.	Function
1	Line voltage see rating plate
2	Relay output K1 for fault reporting = factory function, max. contact load AC 250 V 2 A - During operation the relay is energised, i.e. the connections 11 and 14 are bridged - In case of a fault, the relay is de-energised, i.e. the connections 11 and 12 are bridged - In case of a shutdown using the enable (D1 = Digital In 1) the relay remains energised
3	Digital enable input = factory function - Device ON when contact closed - Device Off when contact open
4	External speed setting
5	Input 0...10 V, 4...20 mA, 0...100 % PWM



## Performance curve



Hydraulic data										
Required air flow										16,510 m³/h
Required static pressure										299 Pa
Working air flow										16,508 m³/h
Working static pressure										299 Pa
Air density										1.204 kg/m³
Power										3,279.7 W
Fan control - RPM										1,401 rpm
Current										4.96 A
SFP										0.715 kW/m³/s
Control voltage										10.0 V
Supply voltage										400 V
Sound power level		63	125	250	500	1k	2k	4k	8k	Total
Inlet	dB(A)	33	55	68	75	81	79	76	70	85
Outlet	dB(A)	35	56	69	77	82	80	77	71	86

## Accessories

[EC-Basic-CO2 and temperature \(24808\)](#)  
[EC-Basic-T temperature \(24805\)](#)  
[EC-Vent control board \(3115\)](#)  
[MTP 10, 10K, Speed control \(32731\)](#)  
[Potentiometer MTP 20, 0-10V \(310220\)](#)  
[Step switch S-5EC-2, 0-10V \(449084\)](#)

[EC-Basic-H humidity \(24807\)](#)  
[EC-Basic-U universal 0-10V \(24806\)](#)  
[EC-Vent Room Unit \(3018\)](#)  
[MTV-1/010 Controller 0..10V+ \(30650\)](#)  
[REV-5POL/05-7,5kW R/Y \(35757\)](#)  
[REV-5POL/05-7,5kW B/G \(281745\)](#)

## Documents

[Operating Instructions](#)