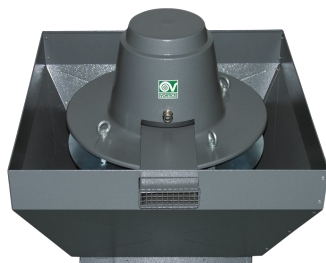


# Technical Data Sheet

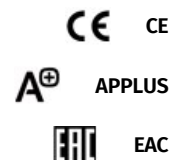
CODE 15160

## TORRETTA TRM 10 ED-V 4P

Centrifugal roof fans with vertical discharge for hot fumes extraction



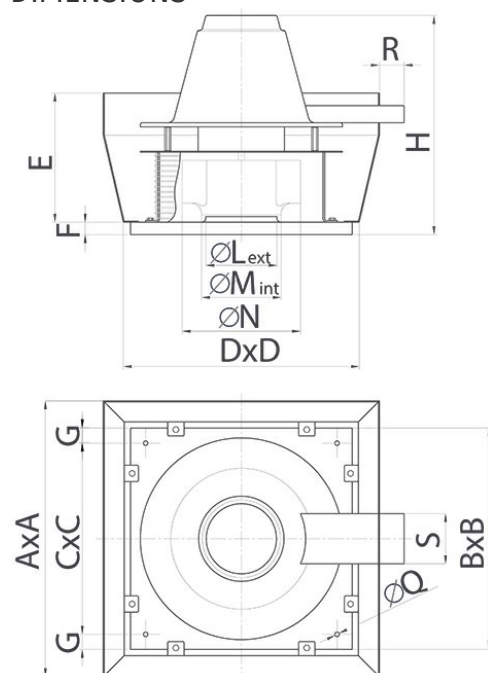
### Certifications



### TECHNICAL AND PERFORMANCE DATA

Absorbed Current max (A)	0,45	Number of Poles	4
Absorbed Power max (W)	100	Voltage (V)	230
Frequency (Hz)	50	Weight (Kg)	32
Insulation Class	I°	Delivery max (l/s)	278
Max ambient temperature for continuous operation (°C)	90	Delivery max (m³/h)	1000
Motor IP protection	55	Pressure max (mmH2O)	20,0
Nominal Diameter (mm)	200	Pressure max (Pa)	196
Number of Phases (Ph)	1	RPM	1450
		Sound Pressure level Lp [dB (A)] 3m	56

### DIMENSIONS



Size A (mm)	652
Size B (mm)	410
Size C (mm)	357
Size D (mm)	440
Size D1 (mm)	183
Size D2 (mm)	187,5
Size D3 (mm)	284
Size E (mm)	328
Size F (mm)	38
Size G (mm)	26,5
Size H (mm)	538

#### PER INFORMAZIONI:

Servizio al Cliente: tel +39 02 90699395 premendo 1 dopo messaggio registrato (consulenza su prodotti e impianti)

Pre & Post Vendita: fax +39 02 90699302

Email prevendita: [prevendita@vortice-italy.com](mailto:prevendita@vortice-italy.com)

# Technical Data Sheet

CODE 15160

## TORRETTA TRM 10 ED-V 4P

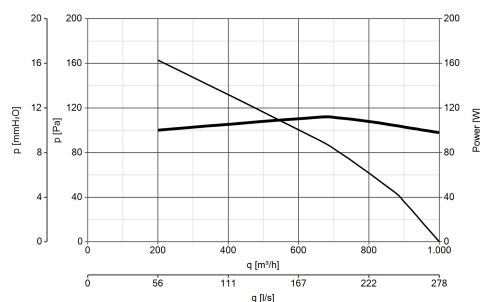
Centrifugal roof fans with vertical discharge for hot fumes extraction



### DESCRIPTION

- Centrifugal roof fan suitable for extracting hot fumes at up to 400 °C for 120 minutes.
- Base manufactured from phosphated pressed steel, epoxy powder coated with hammered effect finish, guaranteeing long-term resistance to atmospheric agents.
- Aerodynamically contoured inlet port for optimum performance, fashioned as a single unit with the base and gauged to optimize air flow.
- Motor mounting plate made of steel with galvanization surface treatment.
- Protective cap carried by top plate made of steel with galvanization surface treatment.
- Cold outside air drawn into a cooling chamber made of pressed steel with polyester powder coated and oven baked hammered effect finish, colour grey.
- Pressed steel motor cover: pickled and phosphated surface, polyester powder coated and oven baked finish, colour grey, with hammered texture.
- Accident prevention and anti-bird grilles (to UNI ISO 13857 standard), consisting of electrically welded steel rings with epoxy powder coated finish, colour black.
- Centrifugal impeller with self-cleaning backward curved blades, dynamically balanced (UNI ISO 1940, Point 1 – Class 6.3), made of electrolytically galvanized steel.
- 1 speed single phase AC motor with shaft turning in ball bearings, size to UNEL MEC standard, flange B5, self-ventilating. Motor insulation class H, with metal cooling fan and cable gland.
- Maximum air flow: 1000 m<sup>3</sup>/h.
- Equipped with a motor start capacitor that must be installed remotely from the fan so that it cannot be damaged through direct exposure to heat.
- Galvanized steel eye lugs for transport and lifting/handling operations.
- Cable guaranteeing continuity of earth connection.
- Steel safety wire for anchoring appliances once installed.
- Vortice speed controller.

### CURVES



### ACCESSORIES



**IRM 30**

Code 12921



**IREM 3 CD**

**99250080**

Code 12931



**TR-CU 10/15**  
**(CONTROTELAIO**  
**DI BASE U.)**

Code 22511



**IREM INVERTER**

**4 M**

Code 12815

#### PER INFORMAZIONI:

Servizio al Cliente: tel +39 02 90699395 premendo 1 dopo messaggio registrato (consulenza su prodotti e impianti)

Pre & Post Vendita: fax +39 02 90699302

Email prevendita: [prevendita@vortice-italy.com](mailto:prevendita@vortice-italy.com)