



Quiet and compact mixed-flow fan

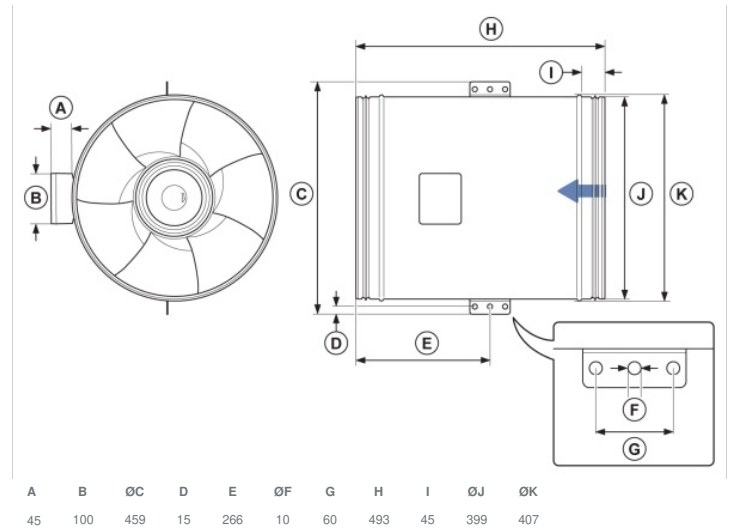
- Available with AC and EC motors for 50 and 60Hz
- Easy to install
- Sound and energy optimized impellers

[Find more details in our online catalogue](#)

Technical parameters

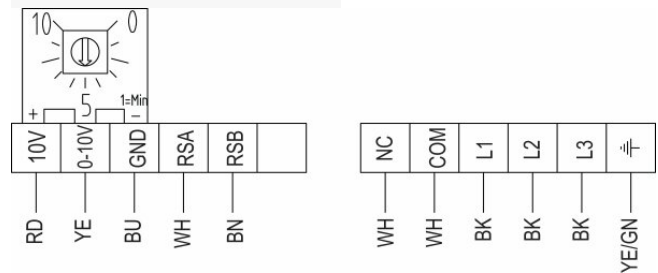
| Nominal data | |
|---|--------------------------------|
| Voltage (nominal) | 400 V |
| Frequency | 50; 60 Hz |
| Phases | 3~ |
| Input power | 1,168 W |
| Input power kW | 1.168 kW |
| Input current | 1.8 A |
| Impeller speed | 2,038 rpm |
| Air flow | max ; 6,829; m ³ /h |
| Temperature of transported air | max 55 °C |
| Max temperature of transported air, when speed controlled | 55 °C |
| Sound data | |
| Sound pressure level at 3m (20m ² Sabin) | 59 dB(A) |
| Protection/Classification | |
| Enclosure class, motor | IP44 |
| Insulation class | F |
| Data according to ErP | |
| ErP ready | ErP 2018 |
| Dimensions and weights | |
| Duct dimension; Circular, inlet | 400 mm |
| Duct dimension; Circular, outlet | 400 mm |
| Weight | 13.26 kg |
| Others | |
| Duct connection type | Circular |
| Motor type | EC |

Dimension

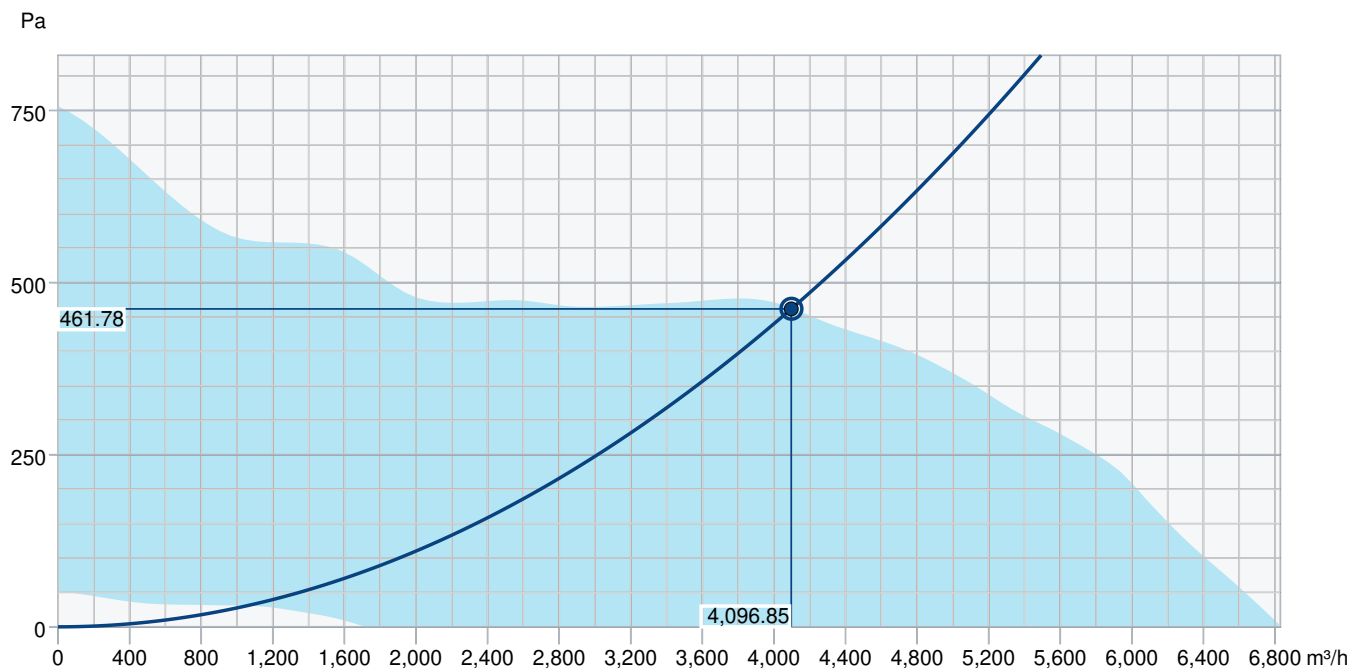


Wiring

- RD Red
- YE Yellow
- BU Blue
- WH White
- GN Green
- BN Brown
- BK Black



Performance curve



| Hydraulic data | | | | | | | | | | |
|--|---------------|----|-----|-----|-----|----|----|----|----|-------|
| Required air flow | 4,098 m³/h | | | | | | | | | |
| Required static pressure | 462 Pa | | | | | | | | | |
| Working air flow | 4,097 m³/h | | | | | | | | | |
| Working static pressure | 462 Pa | | | | | | | | | |
| Air density | 1.204 kg/m³ | | | | | | | | | |
| Power | 884.8 W | | | | | | | | | |
| Fan control - RPM | 2,082 rpm | | | | | | | | | |
| Current | 1.38 A | | | | | | | | | |
| SFP | 0.777 kW/m³/s | | | | | | | | | |
| Control voltage | 10.0 V | | | | | | | | | |
| Supply voltage | 400 V | | | | | | | | | |
| Sound power level | | 63 | 125 | 250 | 500 | 1k | 2k | 4k | 8k | Total |
| Inlet | dB(A) | 57 | 69 | 71 | 77 | 79 | 77 | 70 | 62 | 83 |
| Outlet | dB(A) | 59 | 64 | 76 | 79 | 80 | 76 | 71 | 62 | 85 |
| Surrounding | dB(A) | 30 | 39 | 56 | 62 | 60 | 58 | 54 | 39 | 66 |
| Sound pressure level at 3m (20m² Sabine) | dB(A) | - | - | - | - | - | - | - | - | 59 |
| Sound pressure level at 3m free field | dB(A) | - | - | - | - | - | - | - | - | 45 |

Accessories

CXE/AVC Modbus (37256)

EC-Basic-H humidity (24807)

EC-Basic-U universal 0-10V (24806)

EC-Vent control board (3115)

MTP 10, 10K, Speed control (32731)

Potentiometer MTP 20, 0-10V (310220)

SG 400 Protection guard (5613)

VKK-400 Back draft damper (1629)

Presence detector/IR24-P (6995)

Safety switch 3-pole grey (210680)

CB 400-6,0 400V/2 Duct heater (5391)

CBM 400-9,0 400V/3 Duct heater (5487)

CWK 400-3-2,5 Duct cooler,circ (30026)

FGR 400 Filter cassette (1823)

LDC 400-900 Silencer (5198)

VBC 400-2 Water heating batt (5462)

VBF 400 Water heating battery (1736)

EC-Basic-CO2 and temperature (24808)

EC-Basic-T temperature (24805)

EC-Selector (9908)

EC-Vent Room Unit (3018)

MTV-1/010 Controller 0..10V+ (30650)

REV-5POL/05-7,5kW R/Y (33979)

Step switch S-5EC-2, 0-10V (449084)

HR1 Room Humidistat (215150)

RT 0-30 Room Thermostat (5151)

CB 400-12,0 400V/3 Duct heater (5393)

CB 400-9,0 400V/3 Duct heater (5392)

CBMF 400-9,0 400V/3 Duct heater (12511)

FFR 400 Filter cassette (1783)

FK 400 Fast clamp (1615)

RSK-400 Back draft dmp. (9973)

VBC 400-3 Water heating batt (9845)

Room hygrostat HR-S (286251)

Documents

INSTALLATION_OPERATION_AND_MAINTENANCE_INSTRUCTION_K_KV_PRIO_EN_010.PDF

MODBUS LITE V5.01 parameter specification.pdf

COMMISSIONING_RECORD_FANS_EN.PDF