



VKAP 100 LD 3.0

Art.no: [FAN000005](#) | Product category: Circular duct fans

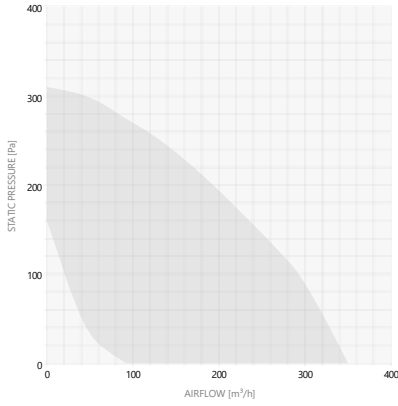
Technical data

PACKING	
Weight	2.7 kg
Package unit	Piece
Quantity per pallet	72
Pallet size	1200x800x1900
Box size/type	Dėžė
Quantity per box	1
ELECTRICAL DATA	
Rated power	74 W
Rated current	0.3 A
Phases	1N~ ~
Voltage	230 V
Frequency	50 Hz
FAN	
Motor type	AC
Motor efficiency class	IE3
IP Class	IP44
Impeller material	Plastic
Code	5509312200
Connection box IP class	IP55
Capacitor	0.002 mF
On/off switch	None
Constant flow sensor	None

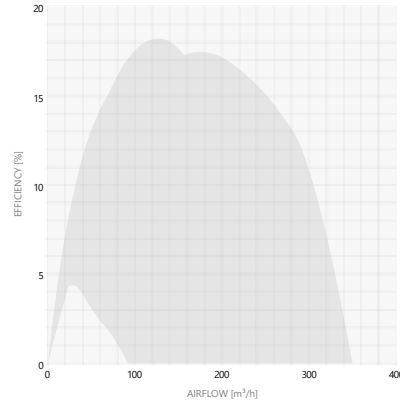
FAN	
Constant pressure sensor	None
Impeller type	Backwards curved
CASING	
Material	Galvanized steel
Coating	Non coated
Corrosion resistance external	C2
Insulation type	None
IP Class	IP44
Operation environment	Indoors
Operating air temperature	-40 .. 40 °C

Performance

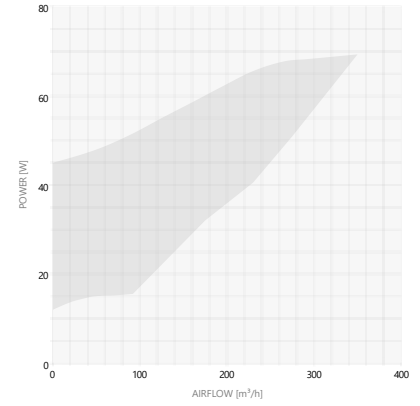
PRESSURE



EFFICIENCY

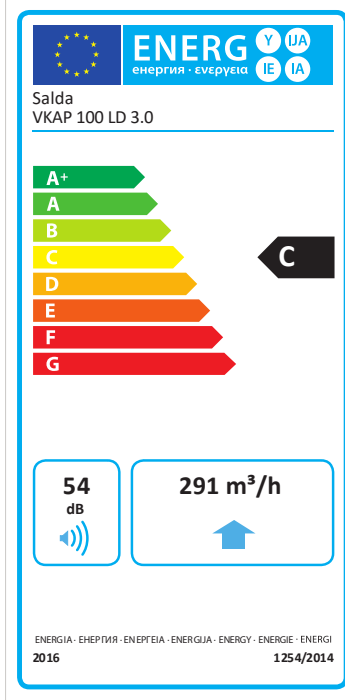


POWER

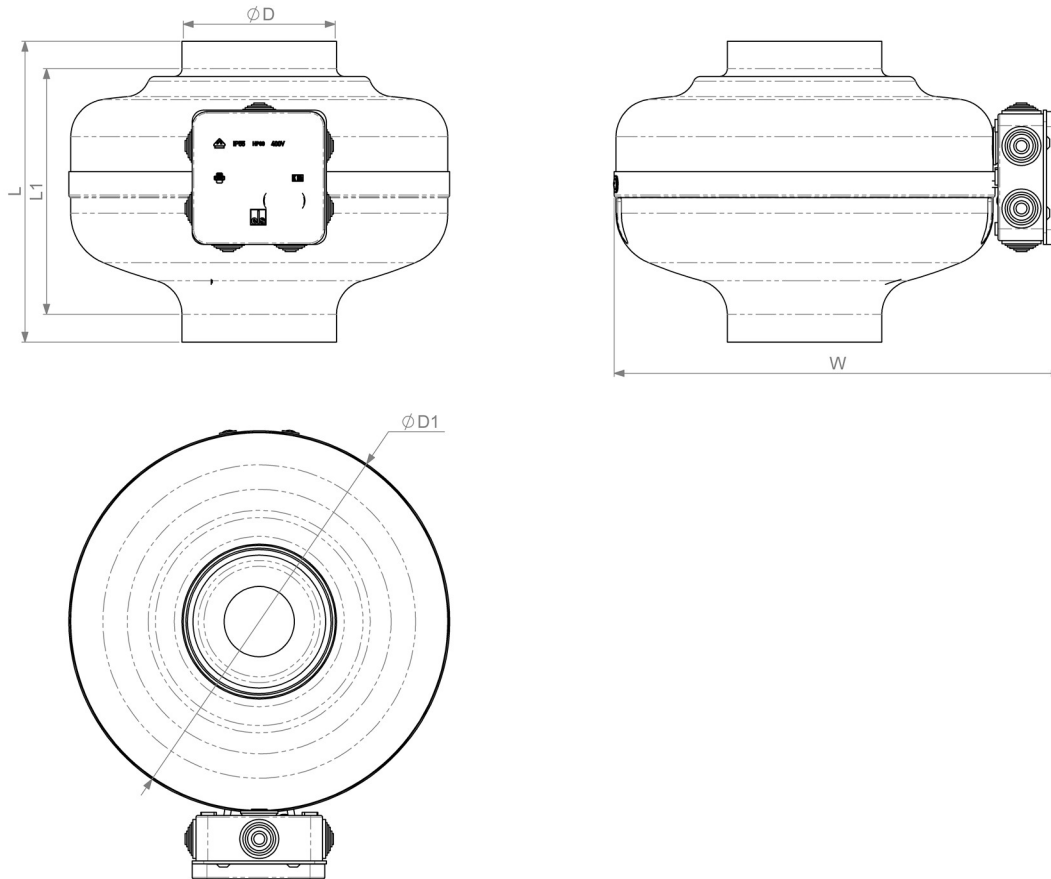


Ecodesign

	Cold	Average	Warm	
SEC	-52	-24.9	-9.44	kWh/m ² a
Class	A+	C	F	
AEC	134	134	134	kWh/a
AHS	5536	2830	1280	kWh/a
Topology	RVU / UVU			
Recovery type	-			
Type of drive	Multi-speed			
Maximum airflow	291		m ³ /h	
Fan power at max airflow	68.2		W	
Casing sound power level	53.8		dB(A)	
Reference airflow	0.057		m ³ /s	
Reference pressure	50		Pa	
SPI	0.2		W/(m ³ /h)	
Control factor	0.65			
Declared maximum external leakage rates	1		%	
ErP Compliance	2018			
Internet address for disassembly instructions	www.salda.lt			



Dimensions



L [mm]	W [mm]	ØD [mm]	L1 [mm]	D1 [mm]
192	287	100	157	244