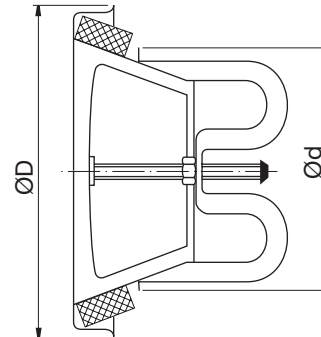


# Exhaust valve

KSU



## Dimensions



### Description

Valve for exhaust air.  
Designed for wall or ceiling mounting.  
Bayonet holders connect to socket VRGU, VRGL, or VRGM.

### Materials and finish

**Material**  
Painted galvanized sheet metal.

**Colour**  
White RAL 9003, gloss 30.

Ød nom	ØD mm	m kg
100	130	0,30
125	160	0,39
150	188	0,52
160	190	0,52
200	235	0,78

### Order code

