

# KVK Silent EC

# EC Box fans



- Low sound level, full acoustic lining
- Compact design, easy installation
- High efficiency and low SFP in a real working point
- Potentiometer included for ease of commissioning
- Integrated motor protection

## Accessories



**CBM**  
Duct heater  
Page 370



**FFR**  
Filter cassette  
Page 367



**FGR**  
Filter cassette  
Page 366



**FK**  
Fast clamp  
Page 364



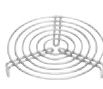
**IGC-LI**  
Intake grid  
Page 364



**LDC**  
Silencer  
Page 368



**RSK**  
Back draft damper  
Page 364



**SG**  
Protection guard  
Page 365



**VK**  
Louvre shutter  
Page 365



**CB / CBM**  
Electr. duct heater  
Page 369



**VKK**  
Back draft damper  
Page 366



**VBC / VBF**  
Water heating battery  
Page 371

## Electrical accessories



**EC-Vent**  
Room unit  
Page 342



**MTP**  
Speed control  
Page 336



**MTV**  
Speed control  
Page 336



**REV**  
On/off switch  
Page 360

## Casing

Casing from galvanised steel. 50 mm mineral wool acoustic and thermal insulation with an internal surface liner which prevents the migration of fibres into the airstream.

## Motor

Energy-saving, highly efficient EC external rotor motors.

## Impeller geometry

Radial impeller with backward curved blades.

## Output control

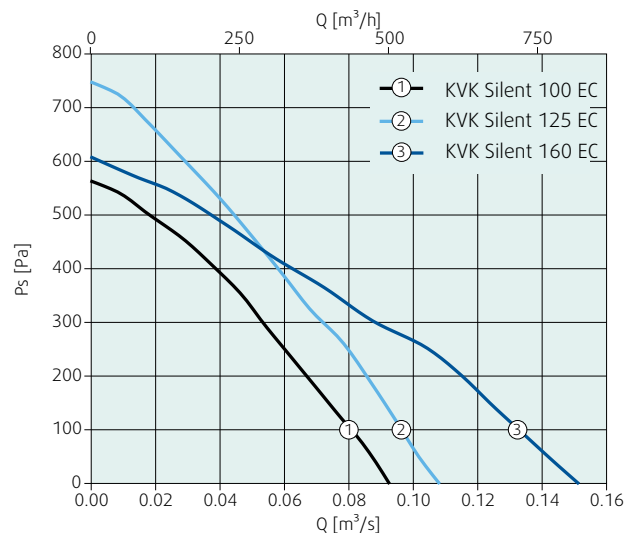
100 % controllable via a 0-10 V signal. The fans are equipped with a potentiometer (0-10 V). This is installed in the terminal box and preset to 10 V (factory setting). The speed can be easily adjusted should the installation require a different operating point.

## Motor protection

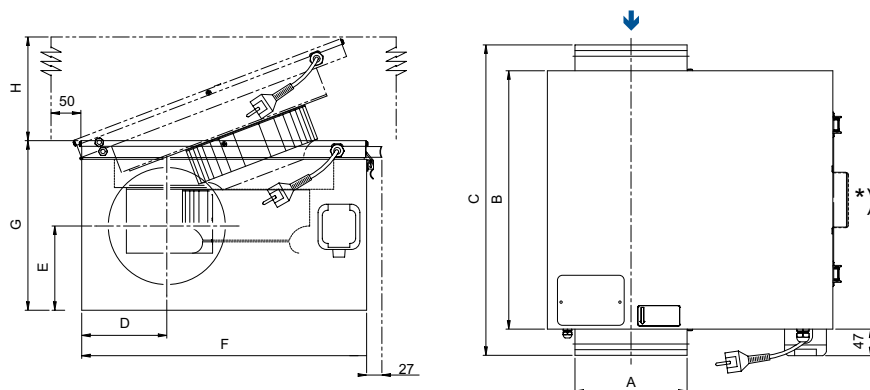
Integrated thermal contacts with manual reset in accordance with EN60335-2-80.

You can find more information in our online catalogue on [www.systemair.com](http://www.systemair.com)

## Quick selection



## Dimensions



KVK Silent EC	A	B	C	D	E	F	G	H
KVK Silent 100 EC	100	443	479	125	128	442	246	470
KVK Silent 125 EC	125	433	479	125	128.5	442	246	470
KVK Silent 160 EC	160	482	528	145.5	132.5	505	266	530

## Technical data

KVK Silent EC		KVK Silent 100 EC	KVK Silent 125 EC	KVK Silent 160 EC
Art. no.		92167	92168	92169
Voltage	V	1x230	1x230	1x230
Frequency	Hz	50	50/60	50/60
Input power (P1)	W	85.9	74.7	66.2
Current	A	0.72	0.633	0.541
Max. temperature of transported air	°C	55	55	60
* when speed-controlled	°C	55	55	60
Sound pressure level (1 m)*	dB(A)	38.9	35.8	38.4
Sound pressure level (3 m)*	dB(A)	29.4	26.3	28.9
Weight	kg	13.7	13.7	16.8
Insulation class		B	B	B
Motor protection		Integral	Integral	Integral
Speed control, stepless <sup>(1)</sup>		MTP	MTP	MRP

(\*) Free field conditions

(\*\*) Only for use outside the EEA (European Economic Area), see Ecodesign regulation 327/2011

(1) Systemair recommendation.

# KVK Silent EC



- Low sound level, full acoustic lining
- Compact design, easy installation
- High efficiency and low SFP
- Potentiometer included for ease of commissioning
- Integrated motor protection

## Accessories



**CBM**  
Duct heater  
Page 370



**FFR**  
Filter cassette  
Page 367



**FGR**  
Filter cassette  
Page 366



**FK**  
Fast clamp  
Page 364



**IGC-LI**  
Intake grid  
Page 364



**LDC**  
Silencer  
Page 368



**RSK**  
Back draft damper  
Page 364



**SG**  
Protection guard  
Page 365



**VK**  
Louvre shutter  
Page 365



**CB / CBM**  
Electr. duct heater  
Page 369



**VKK**  
Back draft damper  
Page 366



**VBC / VBF**  
Water heating battery  
Page 371

## Electrical accessories



**EC-Vent**  
Room unit  
Page 342



**MTP**  
Speed control  
Page 336



**MTV**  
Speed control  
Page 336



**REV**  
On/off switch  
Page 360

# EC Box fans

## Casing

Casing from Aluzinc with corrosion class C4. 50 mm mineral wool acoustic and thermal insulation with an internal surface liner which prevents the migration of fibres into the airstream.

## Motor

Energy-saving, highly efficient EC external rotor motors.

## Impeller geometry

Radial impeller with backward curved blades.

## Output control

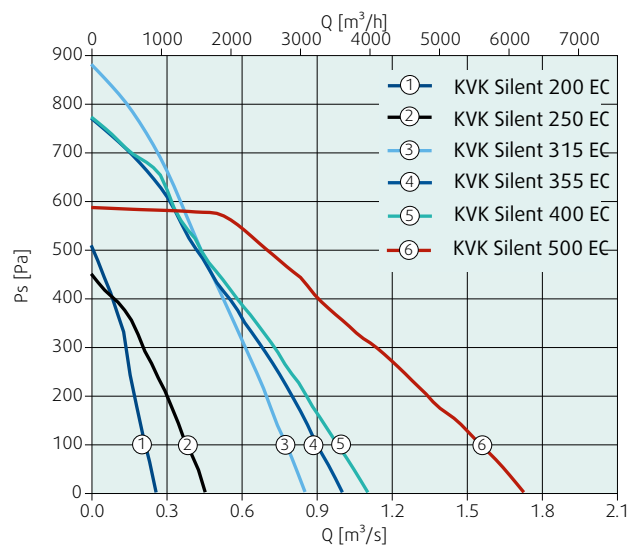
100 % controllable via a 0-10 V signal. The fans are equipped with a potentiometer (0-10 V). This is installed in the terminal box and preset to 10 V (factory setting). The speed can be easily adjusted should the installation require a different operating point.

## Motor protection

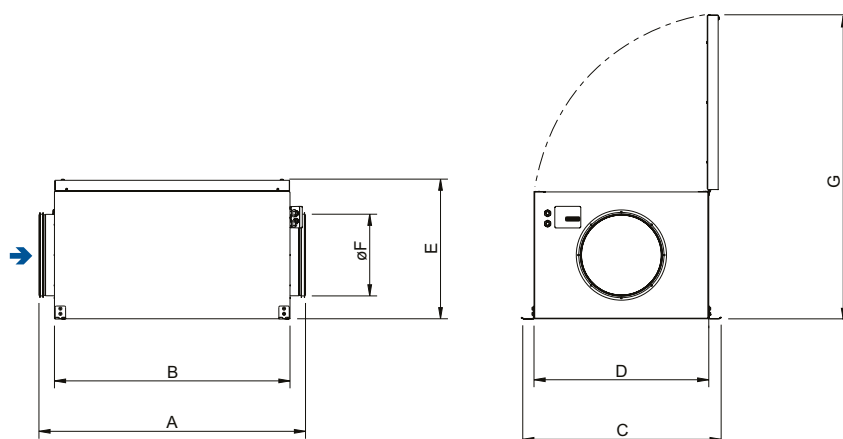
Integrated thermal contacts with manual reset in accordance with EN60335-2-80.

You can find more information in our online catalogue on [www.systemair.com](http://www.systemair.com)

## Quick selection



## Dimensions



KVK Silent EC	A	B	C	D	E	øF	G
KVK Silent 200 EC	682	604	596	500	352	200	810
KVK Silent 250 EC	836	720	630	533	382	250	872
KVK Silent 315 EC	946	826	768	672	493	315	1125
KVK Silent 355 EC	1041	922	852	748	538	355	1045
KVK Silent 400 EC	1082	922	852	748	538	400	1045
KVK Silent 500 EC	1292	1134	940	850	680	500	1486

## Technical data

KVK Silent EC		KVK Silent 200 EC	KVK Silent 250 EC	KVK Silent 315 EC
Art. no.		92170	92171	92172
Voltage	V	1x230	1x230	1x230
Frequency	Hz	50/60	50	50/60
Input power (P1)	W	120	168	533
Current	A	0.929	1.17	2.32
Max. temperature of transported air	°C	60	60	60
* when speed-controlled	°C	60	60	60
Sound pressure level (1 m)*	dB(A)	37.9	39.3	49.1
Sound pressure level (3 m)*	dB(A)	28.4	29.8	39.6
Weight	kg	21	27.5	55
Insulation class		B	F	F
Motor protection		Integral	Integral	Integral
Speed control, stepless <sup>(1)</sup>		MTP	MTP	MTP

KV DUO EC		KVK Silent 355 EC	KVK Silent 400 EC	KVK Silent 500 EC
Art. no.		92173	92174	92175
Voltage	V	1x230	1x230	1x230
Frequency	Hz	50/60	50/60	50/60
Input power (P1)	W	533	532	786
Current	A	2.36	2.39	3.43
Max. temperature of transported air	°C	60	60	60
*when speed-controlled	°C	60	60	60
Sound pressure level (1 m)*	dB(A)	49.3	49.5	47.9
Sound pressure level (3 m)*	dB(A)	39.8	40	38.4
Weight	kg	64	64	94.9
Insulation class		F	F	F
Motor protection		Integral	Integral	Integral
Speed control, stepless <sup>(1)</sup>		MTP	MTP	MTP

(\*) Free field conditions

(\*\*) Only for use outside the EEA (European Economic Area), see Ecodesign regulation 327/2011

(1) Systemair recommendation.