

VENTS MAO1 reverse Series



Axial window two-speed reverse fan for exhaust and supply ventilation with the capacity up to 202 m³/h

Application

- Permanent or periodic exhaust and supply ventilation of kitchens, garages, workshops and residential premises.
- For mounting in windows.

Design

- Modern design and aesthetic look.
- The casing and the impeller are made of high-quality durable ABS plastic, UV resistant.
- The intellectual impeller design makes the fan efficiency high and the service life long.
- The fan and motor are specially designed for silent operation.
- Fan is equipped with a thermal actuator that provides smooth opening and shutting of automatic louver shutters for air back flow preventing.
- Supplied with a three bottom control unit and 220 V - 12 V transformer.
- Transformer provides reliable fan operation with safe power supply 12 V.
- Protection rating IP 24.

Motor

- Reliable DC motor (12V) with low energy demand.
- Two-speed reverse DC motor provides fan operation both in supply and exhaust mode.
- Special motor design ensures low noise level.
- Designed for continuous operation and required no maintenance.
- Equipped with overload protection.

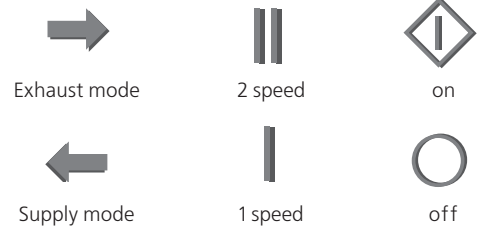
Control

Manual control:

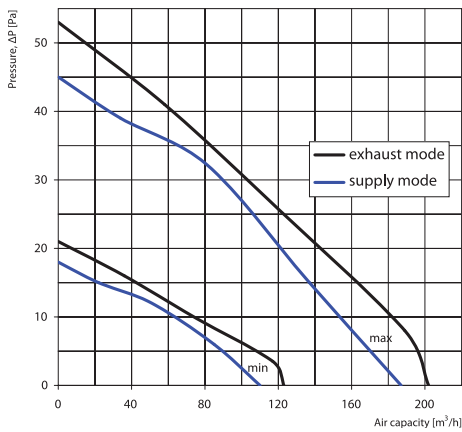
- Three button control unit (included into delivery set) with integrated circuit board is used for:
 1. On/off switching;
 2. Fan speed switching on/off (min - max);
 3. Fan operation mode switching (exhaust mode - supply mode).

Mounting features

- Fan is installed directly into window opening.



Aerodynamic characteristics

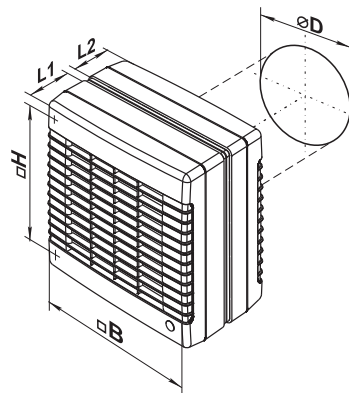


Technical Data

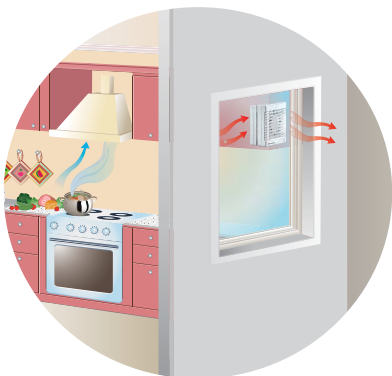
Model	Mode	Speed	Voltage [V] at 50 Hz	Power Consumption [W]	Current [A]	RPM [min ⁻¹]	Maximum air capacity [m ³ /h]	Sound Pressure Level at 3 m [dB(A)]	Weight [kg]
VENTS 150 MAO1 reverse	exhaust	max	220-240	8,7	0,045	1950	202	33	1,53
		min		5,2	0,025	1215	123	28	
	supply	max		7,6	0,045	2030	187	32	
		min		5,1	0,025	1210	110	26	

Overall dimensions

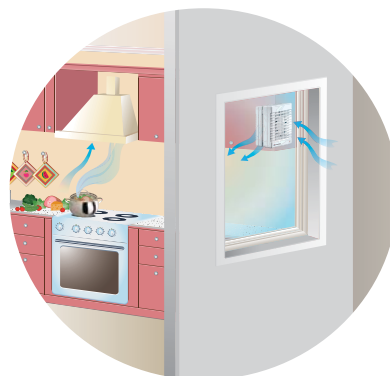
Model	Dimensions [mm]					
	∅ D	B	H	H1	L1	L2
VENTS 150 MAO1 reverse	150	212	195	—	66	60



Mounting examples



Fan operation in EXHAUST mode



Fan operation in reverse SUPPLY-EXHAUST mode

Certificates



The fans meet the applicable safety and electromagnetic compatibility standards.